

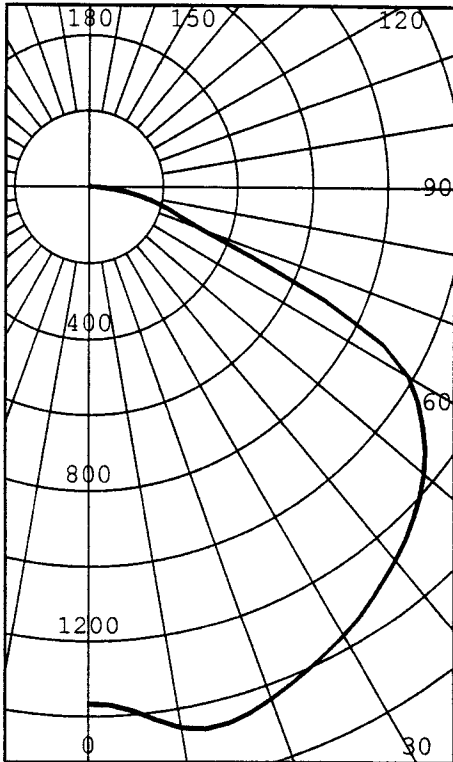


CERTIFIED TEST REPORT No.

19993

HI-LITE MANUFACTURING - LARGE BAY, CAT# H-171-18  
 WITH WHITE INTERIOR AND NO LENS  
 ONE GE 300 WATT INCANDESCENT LAMP, CAT# 300W/PS25. LUMEN RATING = 6200 LMS.  
 OPERATING AT 120 VAC AND 300 WATTS

### INTENSITY (CANDLEPOWER) SUMMARY

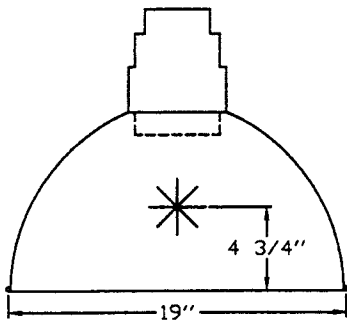


ANGLE	MEAN CP	LUMENS
0	1367	
5	1391	137
10	1453	
15	1466	413
20	1437	
25	1401	647
30	1365	
35	1322	828
40	1277	
45	1227	947
50	1169	
55	1089	971
60	987	
65	695	666
70	324	
75	218	234
80	139	
85	63	70
90	0	

### ZONAL LUMENS AND PERCENTAGES

ZONE	LUMENS	% LAMP	% LUMINAIRE
0-30	1196	19.30	24.35
0-40	2024	32.65	41.20
0-60	3942	63.59	80.25
0-90	4912	79.24	100.00
40-90	2888	46.59	58.80
60-90	970	15.65	19.75
90-180	0	0.00	0.00
0-180	4912	79.24	100.00

\*\* EFFICIENCY: 79.2% \*\*



### LUMINANCE SUMMARY CD./SQ.M.

S/MH: 1.5  
 SC: 1.5

ANGLE	MEAN CD/SQ M
45	9524
55	10422
65	9029
75	4630
85	3937

CERTIFIED BY:

*Jan Levin*

DATE:  
 MAY 10, 2005

PREPARED FOR:

HI-LITE MANUFACTURING  
 CHINO, CA

LIGHTING SCIENCES  
7826 E. EVANS RD.  
SCOTTSDALE, AZ, USA 85260

CERTIFIED TEST REPORT No.

19993

HI-LITE MANUFACTURING - LARGE BAY, CAT# H-171-18  
WITH WHITE INTERIOR AND NO LENS  
ONE GE 300 WATT INCANDESCENT LAMP, CAT# 300W/PS25. LUMEN RATING = 6200 LMS.  
OPERATING AT 120 VAC AND 300 WATTS

INTENSITY (CANDLEPOWER) DATA  
IN 2.5 DEGREE STEPS

ANGLE	INTENSITY (CANDLEPOWER)	LUMENS
0.0	1367	
2.5	1372	
5.0	1391	137
7.5	1423	
10.0	1453	
12.5	1468	
15.0	1466	413
17.5	1454	
20.0	1437	
22.5	1419	
25.0	1401	647
27.5	1384	
30.0	1365	
32.5	1344	
35.0	1322	828
37.5	1298	
40.0	1277	
42.5	1253	
45.0	1227	947
47.5	1200	
50.0	1169	
52.5	1133	
55.0	1089	971
57.5	1044	
60.0	987	
62.5	887	
65.0	695	666
67.5	472	
70.0	324	
72.5	260	
75.0	218	234
77.5	178	
80.0	139	
82.5	100	
85.0	63	70
87.5	25	
90.0	0	

LIGHTING SCIENCES  
7826 E. EVANS RD.  
SCOTTSDALE, AZ, USA 85260

CERTIFIED TEST REPORT No.

19993

HI-LITE MANUFACTURING - LARGE BAY, CAT# H-171-18  
WITH WHITE INTERIOR AND NO LENS  
ONE GE 300 WATT INCANDESCENT LAMP, CAT# 300W/PS25. LUMEN RATING = 6200 LMS.  
OPERATING AT 120 VAC AND 300 WATTS

AVERAGE LUMINANCE DATA

CD./SQ.M.	(FOOTLAMBERTS)
ANGLE	LUMINANCE
0	7471 ( 2180)
30	8615 ( 2514)
40	9112 ( 2659)
45	9524 ( 2779)
50	9943 ( 2902)
55	10422 ( 3041)
60	10788 ( 3148)
65	9029 ( 2635)
70	5178 ( 1511)
75	4630 ( 1351)
80	4378 ( 1277)
85	3937 ( 1149)

LIGHTING SCIENCES  
 7826 E. EVANS RD.  
 SCOTTSDALE, AZ, USA 85260

CERTIFIED TEST REPORT No. 19993

HI-LITE MANUFACTURING - LARGE BAY, CAT# H-171-18  
 WITH WHITE INTERIOR AND NO LENS  
 ONE GE 300 WATT INCANDESCENT LAMP, CAT# 300W/PS25. LUMEN RATING = 6200 LMS.  
 OPERATING AT 120 VAC AND 300 WATTS

COEFFICIENTS OF UTILIZATION

ZONAL CAVITY METHOD

EFFECTIVE FLOOR CAVITY REFLECTANCE = .20

CC WALL	90				80				70				50				30				10				0
	70	50	30	10	70	50	30	10	70	50	30	10	50	30	10	50	30	10	50	30	10	50	30	10	0
RCR																									
0	0.970	0.970	0.970	0.97	0.940	0.940	0.940	0.94	0.920	0.920	0.920	0.92	0.880	0.880	0.88	0.840	0.840	0.84	0.810	0.810	0.81	0.79			
1	0.890	0.850	0.820	0.79	0.870	0.830	0.800	0.77	0.850	0.820	0.790	0.76	0.780	0.760	0.74	0.750	0.730	0.72	0.720	0.710	0.69	0.68			
2	0.810	0.750	0.700	0.65	0.800	0.740	0.690	0.64	0.780	0.720	0.680	0.64	0.690	0.660	0.62	0.670	0.640	0.61	0.650	0.620	0.60	0.58			
3	0.750	0.660	0.600	0.54	0.730	0.650	0.590	0.54	0.710	0.640	0.580	0.54	0.610	0.570	0.53	0.590	0.550	0.52	0.570	0.540	0.51	0.49			
4	0.690	0.590	0.520	0.46	0.670	0.580	0.510	0.46	0.650	0.570	0.510	0.46	0.550	0.490	0.45	0.530	0.480	0.45	0.510	0.470	0.44	0.42			
5	0.630	0.520	0.450	0.39	0.610	0.510	0.440	0.39	0.590	0.500	0.440	0.39	0.490	0.430	0.38	0.470	0.420	0.38	0.460	0.410	0.38	0.36			
6	0.580	0.460	0.390	0.34	0.560	0.450	0.380	0.34	0.540	0.450	0.380	0.33	0.430	0.370	0.33	0.420	0.370	0.33	0.410	0.360	0.32	0.31			
7	0.520	0.410	0.340	0.29	0.510	0.400	0.330	0.29	0.500	0.400	0.330	0.28	0.380	0.320	0.28	0.370	0.320	0.28	0.360	0.310	0.28	0.26			
8	0.480	0.370	0.300	0.25	0.470	0.360	0.300	0.25	0.460	0.360	0.290	0.25	0.350	0.290	0.25	0.340	0.280	0.24	0.330	0.280	0.24	0.23			
9	0.450	0.330	0.260	0.22	0.440	0.330	0.260	0.22	0.420	0.320	0.260	0.22	0.310	0.250	0.21	0.300	0.250	0.21	0.300	0.250	0.21	0.20			
10	0.410	0.300	0.230	0.19	0.400	0.300	0.230	0.19	0.390	0.290	0.230	0.19	0.280	0.230	0.19	0.280	0.220	0.19	0.270	0.220	0.18	0.17			

LABORATORY RESULTS MAY NOT BE REPRESENTATIVE OF FIELD PERFORMANCE.  
 BALLAST AND FIELD FACTORS HAVE NOT BEEN APPLIED.

TEST DISTANCE EXCEEDS FIVE TIMES THE GREATEST  
 LUMINOUS OPENING OF LUMINAIRE.