



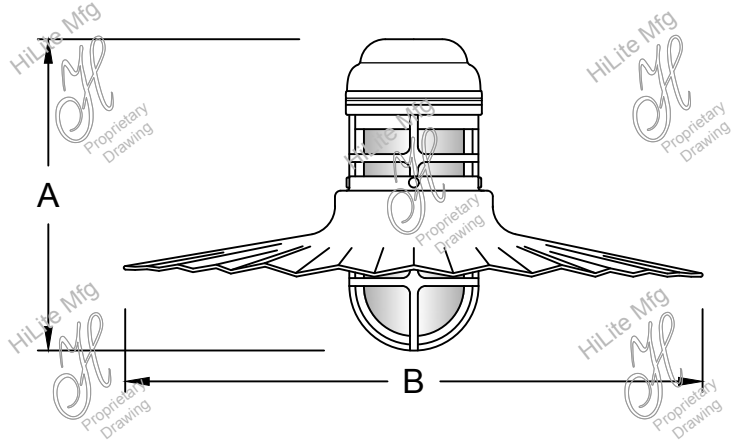
**HI-LITE MFG.
CO., INC.**

13450 Monte Vista Avenue
Chino, California 91710
Telephone: (909) 465-1999
Toll Free: (800) 465-0211
Fax: (909) 465-0907
www.hilitemfg.com

Item Number	Height (A)	Width (B)
H-19214	10"	14"
H-19216	10"	16"
H-19218	10"	18"
H-19220	10"	20"
H-19222	10"	22"
H-19224	10"	24"

Job Name: _____
Type: _____
Quantity: _____

Cast Guard Radial Shade Collection



Fixture No.	Fixture Color	Glass Color	Mounting	Mounting Color	Optional Accessories	Accessory Color	Wattage/Lamp options	Ballast	Voltage
H-19214 H-19216 H-19218 H-19220 H-19222 H-19224	Standard (1) 91 (Black) 93 (White) 95 (Dk. Grn) 96 (Galv.) BR47 (Rust) BK01, GN20. Upgraded Finishes. 29, 66, 82, 92, 94, 97, 100, 103, 104, 105, 112, 113, 114, 117, 118, 119, 127, 128, 133, 134, 135, 136, 98, 101, 102, 137, 139, 140, 121, 122, 123, 124, 11, 01, 22, 25, 33, 77, 89, 24, 44, 48, 49, 15, 16. For finish specs see pages 344-348.	CLR (Clear) RIB (Clear Ribbed) FR (Frost) RD (Red) BL (Blue) GRN (Green) AM (Amber) AMC (Amber Crackle)	Mounting Options 1/2" 3/4" Cord Options(2) CB8 (8' Blk Cord) CW8 (8' Wht Cord) CG8 (8' Gray Mesh Cord) Custom Cord Options(2) CB (Black) CW (White) CG (Gray Mesh) Specify length. Stem Options (Stem 1/2") ST Specify length and canopy. HSC (Canopy) SMC (Canopy) Flush Mount Options FHSC FSMC Arm Options B-1 HL-K HL-A HL-U HL-H P-1 HL-C P-3 HL-D For all arms and specs see pages 321-344.	Standard 91 (Black) 93 (White) 95 (Dk. Grn) 96 (Galv.) BR47 (Rust) For all finishes see pages 344-348.	SK (Swivel knuckle) FX (Flexible tubing for cord mounted fixture only) For specs see pages 321-344.	Standard 91 (Black) 93 (White) 95 (Dk. Grn) 96 (Galv.) BR47 (Rust) For all finishes see pages 344-348.	Incandescent (5) (Fixture is standard 100W. Do not specify.) CFL (5) (Compact Fluorescent) 13/CFL 18/CFL 26/32/CFL 26/CFL 32/CFL DMB (Dimmable Ballast for CFL. Add to Part No.) HID (High Intensity Discharge) MH (5) (Metal Halide) 35/MH 50/MH 70/MH 100/MH HPS (5) (High Pressure Sodium) 50/HPS 70/HPS 100/HPS LED See LED specification sheet.	Ballast option not available for INC. RB (3) (Remote) BCM (Canopy Mount) PLB (4) (Postline) For specs see pages 341-343.	Incandescent (Fixture is standard 120V. Do not specify.) CFL M (Multi 120/277V) HID RB and BCM M (Multi 120/208/240/277V) PLB 1 (120V) 2 (277V) LED See specifications for complete part number.

H-19214 - 91 - CLR / 1/2" - 91 / SK - 91 / 13/CFL - BCM - M

ORDER EXAMPLE
(USE THIS FORMAT TO PLACE ORDER)

Notes:

- For interior finish of fixture refer to color chart on pages 344-348.
- Cord Mounting wattage not to exceed 100 for HID. Gray Mesh Cord not available for HID.
- (RB) Remote Ballast is not available for Fluorescent Lamping.
- (PLB) Post Line Ballast must specify 120V or 277V. (PLB) 50W MH requires a 3" dia. pole. (PLB) 70W and 100W MH require a 4" dia. pole. (PLB) 50W, 70W and 100W HPS require a 3" dia. pole.
- Socket Bases: INC and HID are medium base. CFL is GX24Q.

Cord-hung fixtures: suitable for dry location only.
Stem-hung fixtures: suitable for damp & dry location.
Gooseneck, post mount & wall bracket fixtures: suitable for wet, damp & dry location.