



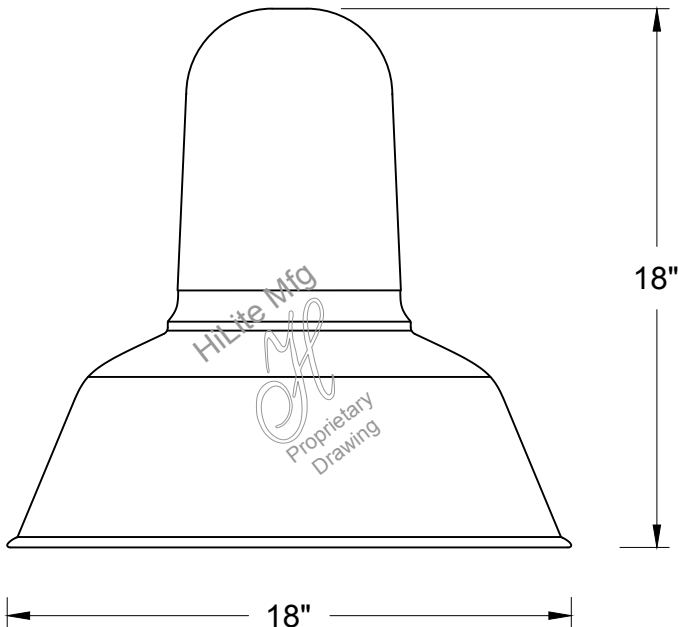
# H-15218

## Self Ballasted Warehouse Shade Collection

Job Name:	_____
Type:	_____
Quantity:	_____

**HI-LITE MFG.  
CO., INC**

13450 Monte Vista Avenue  
Chino, California 91710  
Telephone: (909) 465-1999  
Toll Free: (800) 465-0211  
Fax: (909) 465-0907  
web: www.hilitemfg.com  
e-mail: sales@hilitemfg.com



**FINISH** -Multi-stage pretreatment procedure using materials of polyester/polished powder coat, baking enamel liquid, raw metals, and galvanized finishes.

Standard Finishes are: 91(Black), 93(White), 95(Dark Green), 96(Galvanized), BR47(Powder Coat Rust), BK01(Black Texture), GN20(Powder Coat Patina).

Upgraded Finishes are: 29, 66, 82, 90, 92, 94, 97, 99, 100, 103, 104, 105, 110, 112, 113, 114, 115, 117, 118, 119, 120, 127, 128, 129, 133, 134, 135, 136, 98, 101, 102, 137, 138, 139, 140, 121, 122, 123, 124, 125, 126.

(Custom finishes available).

For interior finish of fixture refer to color chart on pages 344-348.

**MOUNTING** - Cord, Stem, Arm, and Flush mounting available.

**ACCESSORIES** - CGU(Cast Guard and Glass), LCGU(Large Cast Guard and Glass), WGU(Wire Guard and Glass), LWGU(Large Wire Guard and Glass), ARN(Acorn Globe), LARN(Large Acorn Globe), WGR(Wire Guard), SK(Swivel Knuckle) and FX(Flexible tubing for cord mounted fixture only) available.

**REFLECTOR** - Heavy duty, spun shade, aluminum 6061-0 and/or 1100-0, galvanized 22 gauge, steel 20/22 gauge, copper 032/040 and brass 032/040 construction. Dependant on finish.

**SOCKETS/LAMPS** - Available in:

**Incandescent**

- rated 200 watt max/120 volt, medium base.

**GU24**

-rated 24 watt max.

**Compact Fluorescent(CFL)**

- rated 13/18/26/32/42/57 watt max/120/277 volt, GX24Q base.

**Metal Halide(MH)**

- rated 35/50/70/100/150/175 watt max/120/208/240/277 volt, medium base, 4KV socket.

**High Pressure Sodium(HPS)**

- rated 50/70/100/150 watt max/120/277 volt, medium base.

**Light-Emitted Diode(LED)**

-See LED specification sheet.

**ON BOARD BALLAST OPTION(OBB) -**

- CFL 13 - 57 watt.
- HID 35 - 150 watt.
- LED2 9 - 38 watt.
- LED1 12 - 30 watt.

**MADE IN THE U.S.A.**

Suitable for wet location.  
(Except when cord mounted)

