



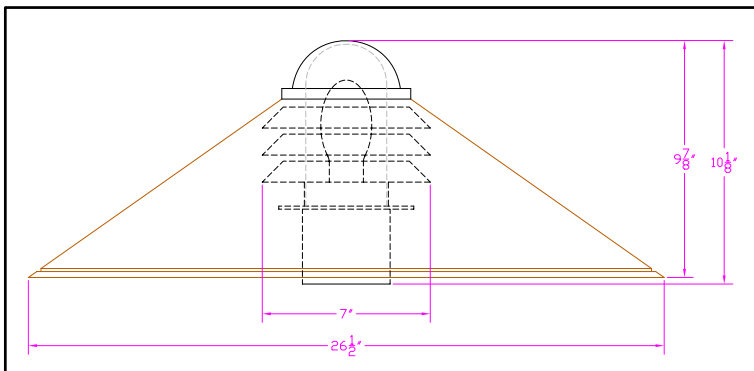
**IES ROAD REPORT  
PHOTOMETRIC FILENAME : LLI030802A.IES**

**DESCRIPTIVE INFORMATION (From Photometric File)**

IESNA:LM-63-2002  
[TEST] LLI 0308-02A  
[TESTLAB] LIGHT LABORATORY INC  
[ISSUEDATE] 3/10/2008  
[MANUFAC] HI-LITE MFG  
[LUMCAT] H-8992727-P  
[LUMINAIRE] 26-1/2"DIA. X 10-1/8"H. OUTDOOR POST TOP  
[MORE] FROSTED GLASS LENS  
[MORE] SPECUAR LOUVERS  
[BALLASTCAT] ADVANCE M90 71A5380  
[BALLAST] 120V 60Hz MAGNETIC.  
[LAMPPOSITION] 0,180  
[LAMPCAT] SYLVANIA M100/U/MED  
[\_LAMPLUM] 8500  
[\_INPUT] 120VAC, 129.1W

**CHARACTERISTICS**

IES Classification	Type V
Longitudinal Classification	Short
Cutoff Classification	Full Cutoff
Total Rated Lamp Lumens	8500
Maximum Candela	599
Maximum Candela Angle	0H 45V
Maximum Candela At 90 Degrees Vertical	0 (0.00% Lamp Lms)
Maximum Candela At 80 Degrees Vertical	21 (0.25% Lamp Lms)
Downward Total Efficiency	24.0%

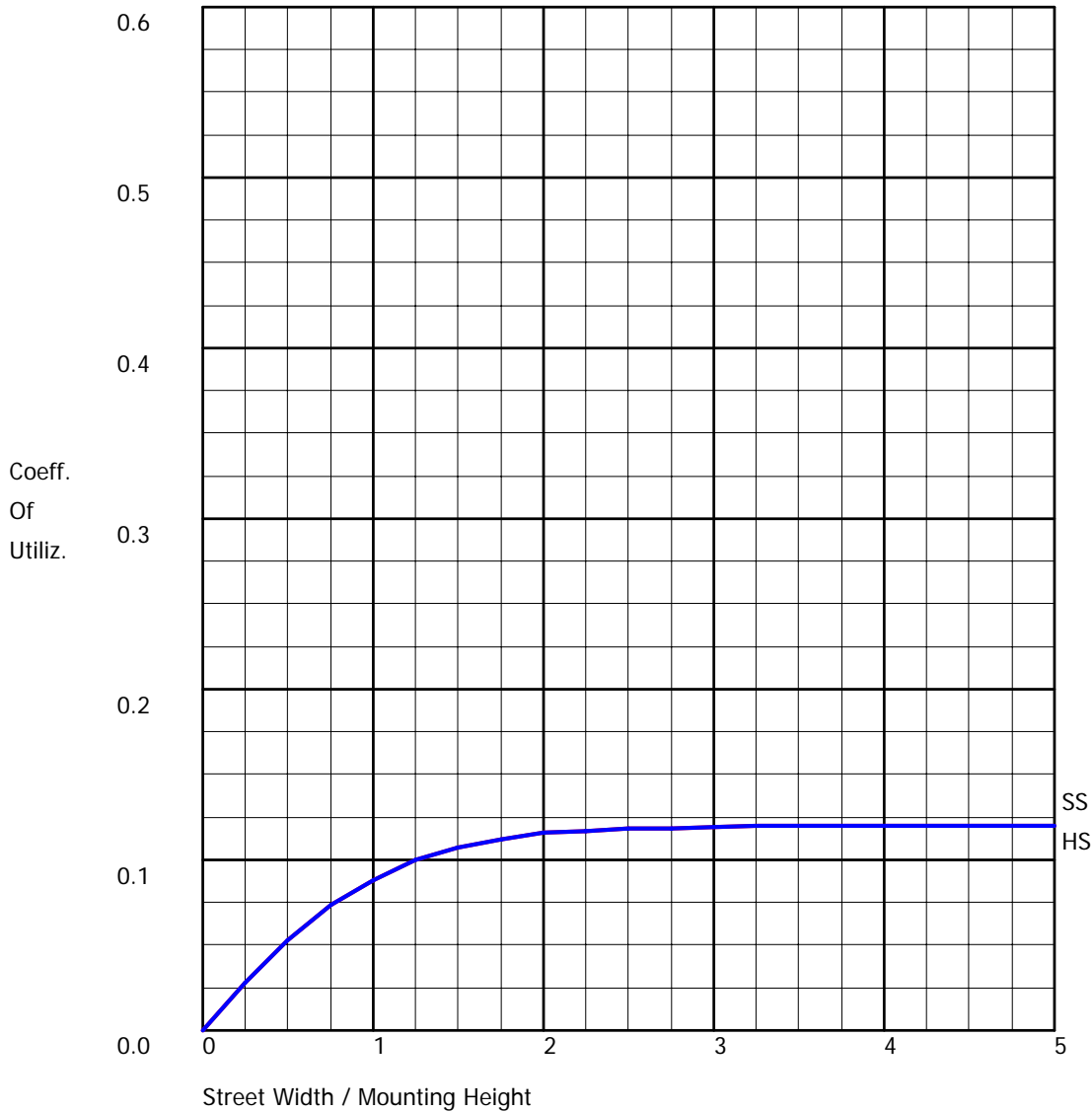


NOTE: ALL TESTS ASSUME BALLAST FACTOR (BF) = 1.0 UNLESS STATED.  
IF TEST OR OTHER BALLAST USED HAS A BF OTHER THAN 1.0, ALL  
LUMEN, CANDELA, AND LUMINANCE VALUES SHOULD BE MULTIPLIED BY  
THE BF, CU, EFFICIENCY AND % FLUX VALUES REMAIN AS LISTED.  
TOTAL WATTS VALUE APPLIES ONLY TO TESTED BALLAST.

CANDELA TABULATION

Vert. Angles	Horizontal Angles
	<u>0</u>
0	458
5	519
15	578
25	468
35	520
45	599
55	557
60	455
62.5	386
65	292
67.5	196
70	119
72.5	58
75	35
77.5	27
80	21
82.5	16
85	12
87.5	9
90	0

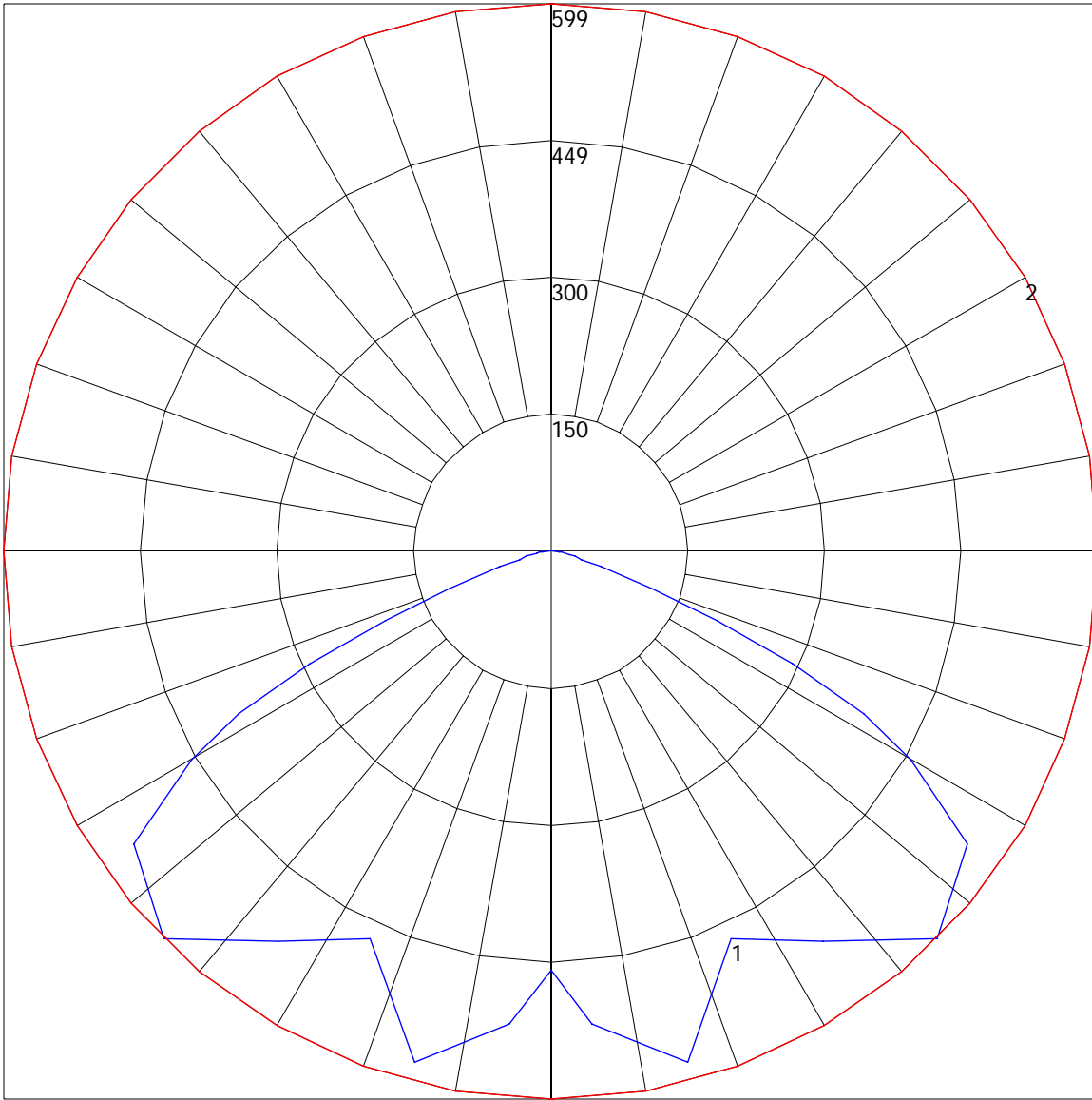
**COEFFICIENTS OF UTILIZATION**



**FLUX DISTRIBUTION**

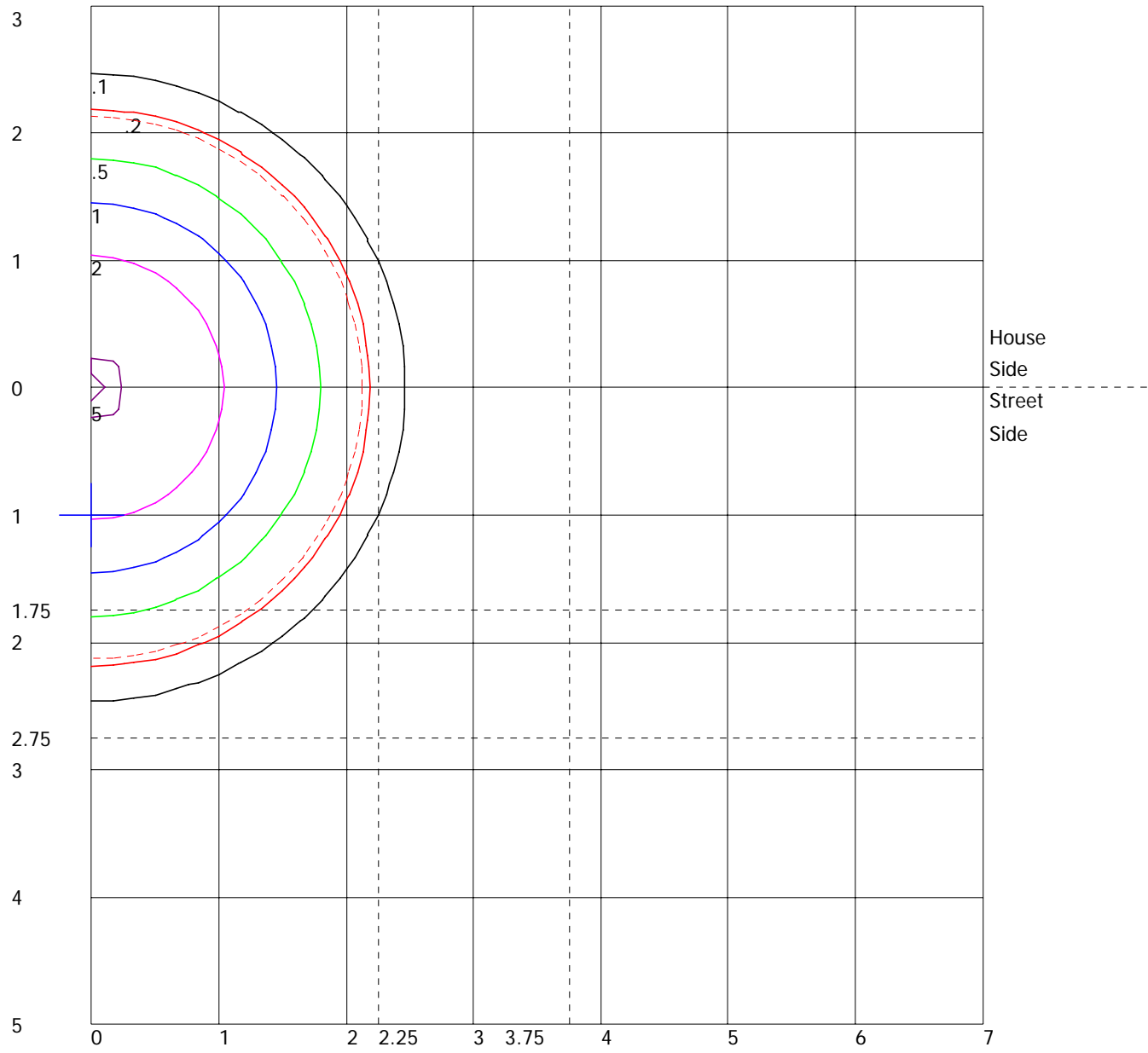
	Lumens	Percent Of Lamp
Downward Street Side	1022.0	12.0
Downward House Side	1022.0	12.0
Downward Total	2044.0	24.0
Upward Street Side	0.0	0.0
Upward House Side	0.0	0.0
Upward Total	0.0	0.0
<b>Total Flux</b>	<b>2044.0</b>	<b>24.0</b>

POLAR GRAPH



Maximum Candela = 599 Located At Horizontal Angle = 0, Vertical Angle = 45  
# 1 - Vertical Plane Through Horizontal Angles (0 - 180) (Through Max. Cd.) : BLUE  
# 2 - Horizontal Cone Through Vertical Angle (45) (Through Max. Cd.) : RED

ISOFOOTCANDLE LINES OF HORIZONTAL ILLUMINANCE



Distance In Units Of Mounting Height  
 Values Based On 10 Foot Mounting Height  
 1/2 Maximum Candela Trace Shown As Dashed Curve  
 (+) = Maximum Candela Point