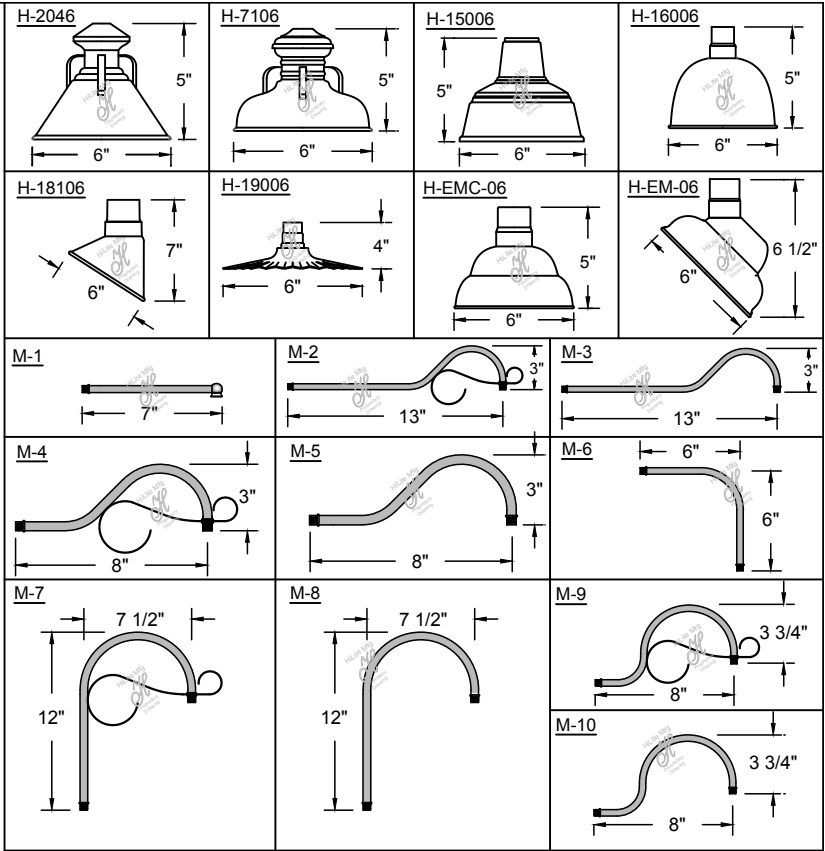




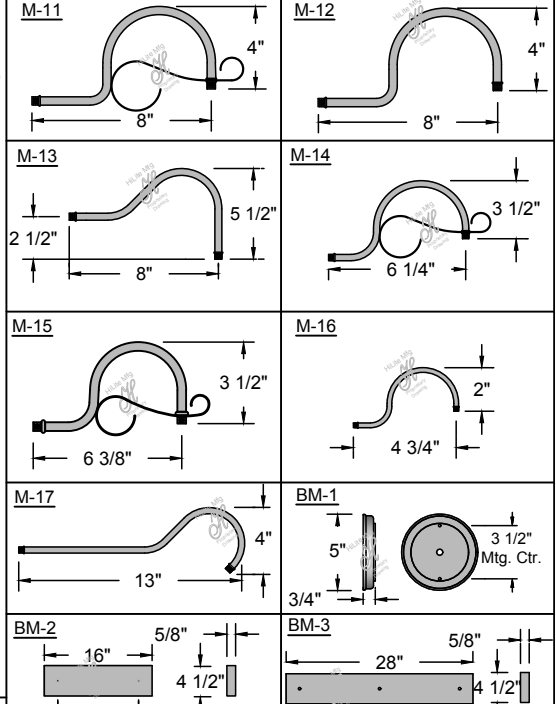
HI-LITE MFG. CO., INC.

13450 Monte Vista Avenue
Chino, California 91710
Telephone: (909) 465-1999
Fax: (909) 465-0907

Job Name: _____
Type: _____
Quantity: _____



Fixture No.	Fixture Color	Mounting	Mounting Canopy	Mounting Color	Wattage/Voltage
H-2046	Standard 91 (Black) 93 (White)	Cord Options CB8 (8' Blk Cord) CW8 (8' Wht Cord) CG8 (8' Gray Mesh Cord)	(For Brackets only) BM-1 BM-2 BM-3 BM-4 BM-5	Standard 91 (Black) 93 (White) 95 (Dk. Grn) 96 (Galv.) BR47 (Rust)	Incandescent (1) (Fixtures are standard 100W and 120V. Do not specify)
H-7106	95 (Dk. Grn) 96 (Galv.) BR47 (Rust)	Stem Options ST1/8 (1/8 IPS Stem) Specify length and canopy.		For all finishes see pages 344-348.	
H-15006	92, 94, 97, 100, 103, 104, 105, 112, 113, 114, 117, 118, 119, 127, 128, 133, 134, 135, 136, 139, 140, 11, 01, 22, 25, 33, 77, 89.	STCSW (Swivel Canopy) STC (Canopy)			
H-16006	For finish specs see pages 344-345	Flush Mount Options FHSC FSMC			
H-18106		Arm Options M-1 M-10 M-2 M-11 M-3 M-12 M-4 M-13 M-5 M-14 M-6 M-15 M-7 M-16 M-8 M-17 M-9			
H-19006					
H-EM-06					
H-EMC-06					



H-2046 - 91 / M-13 - BM-1 - 91

ORDER EXAMPLE
(USE THIS FORMAT TO PLACE ORDER)

- Notes:
- (1) Socket Base: INC is medium base.
 - (2) For interior finish of fixture refer to color chart on pages 344-348. For copper and aluminum finishes loop arm and straight arm will be painted copper or painted aluminum.

Cord-hung fixtures: suitable for dry location only.
Stem-hung fixtures: suitable for damp & dry location.
Wall-Mount fixtures: suitable for damp & dry location.

