

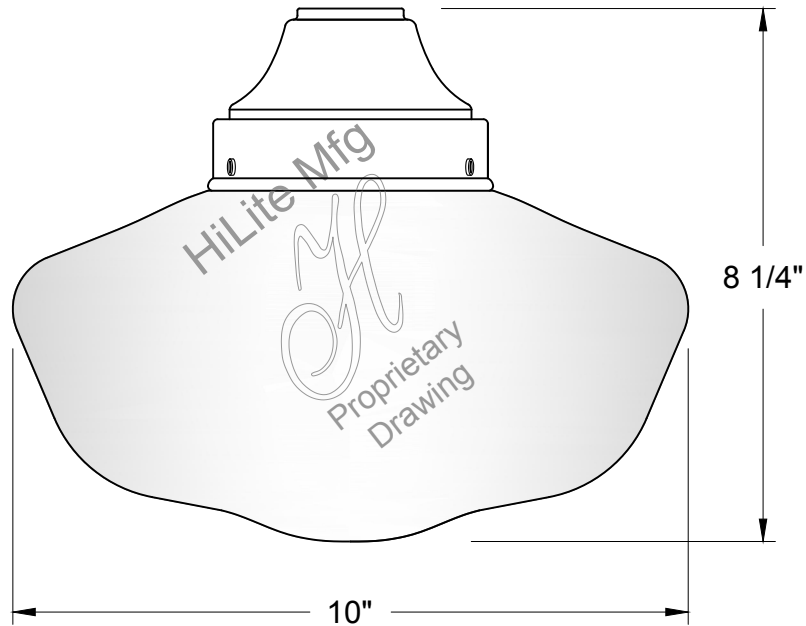


# H-93710 Old School Collection

Job Name:	_____
Type:	_____
Quantity:	_____

**HI-LITE MFG.  
CO., INC**

13450 Monte Vista Avenue  
Chino, California 91710  
Telephone: (909) 465-1999  
Toll Free: (800) 465-0211  
Fax: (909) 465-0907  
web: [www.hilitemfg.com](http://www.hilitemfg.com)  
e-mail: [sales@hilitemfg.com](mailto:sales@hilitemfg.com)



**FINISH** -Offered in exceptional finishes, comprised of: polyester/polished powder coat, baking enamel liquid, raw metal, or galvanized finishes.

Standard Finishes are: 91(Black), 93(White), 95(Dark Green), 96(Galvanized), BR47(Powder Coat Rust), BK01(Black Texture), GN20(Powder Coat Patina).

Upgraded Finishes are: 29, 66, 82, 90, 92, 94, 97, 99, 100, 103, 104, 105, 110, 112, 113, 114, 115, 117, 118, 119, 120, 127, 128, 129, 133, 134, 135, 136, 98, 101, 102, 137, 138, 139, 140, 121, 122, 123, 124, 125, 126, 11, 01, 22, 25, 33, 77, 89, 24, 44, 48, 49.

**MOUNTING** - Stem, Cord and Flush mounting available.

**SOCKETS/LAMPS** - Available in:

Incandescent

- rated 100 watt max/120 volt, medium base.

Compact Fluorescent(CFL)

- rated 13/18/26 watt max/120/277 volt, GX24Q base.

Light-Emitted Diode(LED)

-See LED specification sheet.

**LENS OPTION** - OP(Opal) available.

**MADE IN THE U.S.A.**

Suitable for damp locations only  
when used with 1/2" stem.

