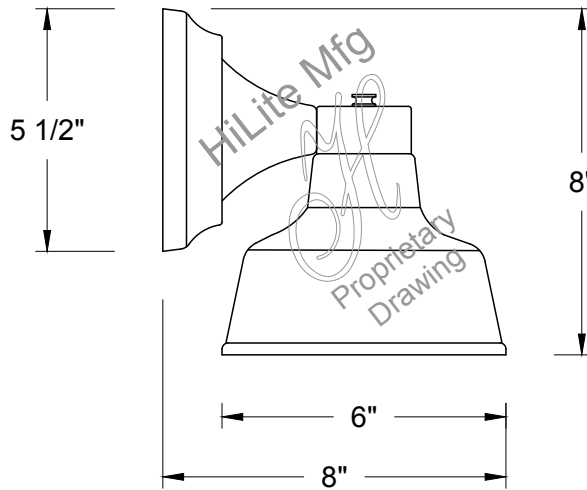


**HI-LITE MFG.
CO., INC**

13450 Monte Vista Avenue
Chino, California 91710
Telephone: (909) 465-1999
Toll Free: (800) 465-0211
Fax: (909) 465-0907
web: www.hilitemfg.com
e-mail: sales@hilitemfg.com

**H-15106-B
Warehouse Shade
Collection**

Job Name: _____
Type: _____
Quantity: _____



FINISH -Multi-stage pretreatment procedure using materials of polyester/polished powder coat, baking enamel liquid, raw metals, and galvanized finishes.

Standard Finishes are: 91(Black), 93(White), 95(Dark Green), 96(Galvanized), BR47(Powder Coat Rust), BK01(Black Texture), GN20(Powder Coat Patina).

Upgraded Finishes are: 29, 66, 82, 90, 92, 94, 97, 99, 100, 103, 104, 105, 110, 112, 113, 114, 115, 117, 118, 119, 120, 127, 128, 129, 133, 134, 135, 136, 138, 139, 140, 01, 11, 22, 25, 33, 77, 89, 24, 44, 48, 49.

(Custom finishes available).

For interior finish of fixture refer to color chart on pages 344-348.

REFLECTOR - Heavy duty, spun shade, aluminum 6061-0 and/or 1100-0, galvanized 22 gauge, steel 20/22 gauge, copper 032/040 and brass 032/040 construction. Dependant on finish.

SOCKETS/LAMPS - Available in:
Incandescent
- rated 75 watt max/120 volt, medium base.

MOUNTING - Wall Mount.

ACCESSORIES - WGR(Wire Guard) available.

MADE IN THE U.S.A.

Suitable for wet location.

