



H-43106-B

Atlas Collection

Job Name:

Type:

Quantity:

HI-LITE MFG.
CO., INC

13450 Monte Vista Avenue
Chino, California 91710

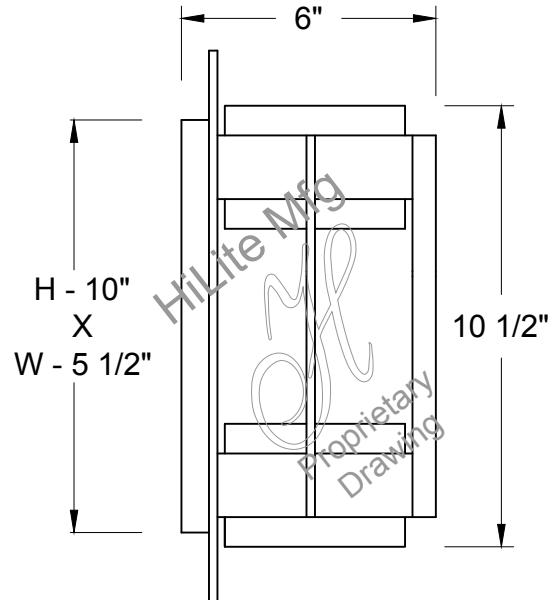
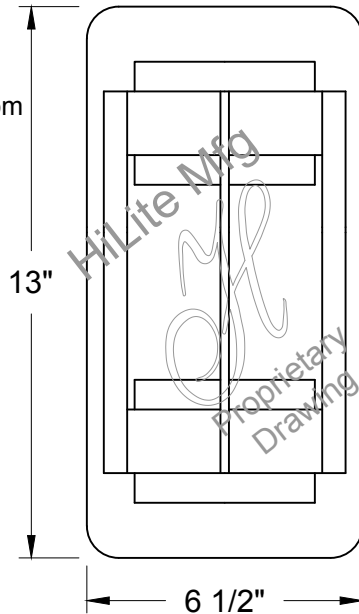
Telephone: (909) 465-1999

Toll Free: (800) 465-0211

Fax: (909) 465-0907

web: www.hilitemfg.com

e-mail: sales@hilitemfg.com



FINISH -Offered in exceptional finishes, comprised of: polyester/polished powder coat, baking enamel liquid, raw metal, or galvanized finishes.

Standard Finishes are: 91(Black), 93(White),

95(Dark Green), 96(Galvanized),

BR47(Powder Coat Rust), BK01(Black Texture),

GN20(Powder Coat Patina).

Upgraded Finishes are: 29, 66, 82, 90, 92, 94, 97,

99, 100, 103, 104, 105, 110, 112, 113, 114, 115,

117, 118, 119, 120, 127, 128, 129, 133, 134,

135, 136, 101, 102, 137, 138, 139, 140, 121,

122, 123, 124, 125, 126.

For interior finish of fixture refer to color chart on pages 344-348.

REFLECTOR - Heavy duty, spun shade, aluminum 6061-0 and/or 1100-0, galvanized 22 gauge, steel 20/22 gauge, copper 032/040 and brass 032/040 construction. Dependant on finish.

SOCKETS/LAMPS - Available in:

Incandescent

- rated 2-100 watt max/120 volt, medium base.

Compact Fluorescent(CFL)

- rated 13/18/26/32 watt max/120/277 volt, GX24Q base.

MOUNTING - Wall Mount.

LENS OPTION - CLR(Clear) and FR(Frost) available.

MADE IN THE U.S.A.

Suitable for dry location.

