

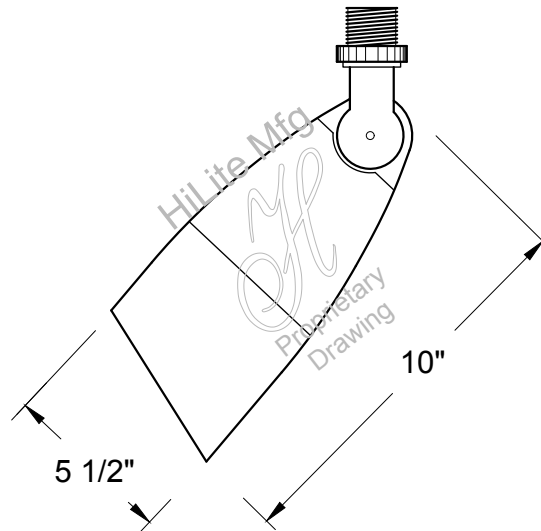


**HI-LITE MFG.
CO., INC**

13450 Monte Vista Avenue
Chino, California 91710
Telephone: (909) 465-1999
Toll Free: (800) 465-0211
Fax: (909) 465-0907
web: www.hilitemfg.com
e-mail: sales@hilitemfg.com

H-PAR38 Sign Lighters Collection

Job Name: _____
Type: _____
Quantity: _____



FINISH -Multi-stage pretreatment procedure using materials of polyester/polished powder coat, baking enamel liquid, raw metals, and galvanized finishes.

Standard Finishes are: 91(Black), 93(White), 95(Dark Green), 96(Galvanized), BR47(Powder Coat Rust), BK01(Black Texture), GN20(Powder Coat Patina).

Upgraded Finishes are: 29, 66, 82, 90, 92, 94, 97, 99, 100, 103, 104, 105, 110, 112, 113, 114, 115, 117, 118, 119, 120, 127, 128, 129, 133, 134, 135, 136, 138, 139, 140, 11, 121, 122, 123, 124, 125, 126, 22, 33, 77, 16, 55.

(Custom finishes available).

For interior finish of fixture refer to color chart on pages 344-348.

SOCKETS/LAMPS - Available in:

Incandescent

- rated 150 watt max/120 volt, medium base.

MOUNTING - Wall Mount.

Arms available:

18-1, 24-1, 30-1, 36-1, 48-1
18-2, 24-2, 30-2, 36-2, 48-2
18-3, 24-3, 30-3, 36-3, 48-3
18-10, 24-10, 30-10, 36-10, 48-10
18-15, 24-15, 30-15, 36-15, 48-15
B-5, B-6 arm's.

HDSMC(Heavy Duty Stem Mount Canopy) Direct to wall mount.

MADE IN THE U.S.A.

Suitable for wet location.
(Except when cord mounted)

