

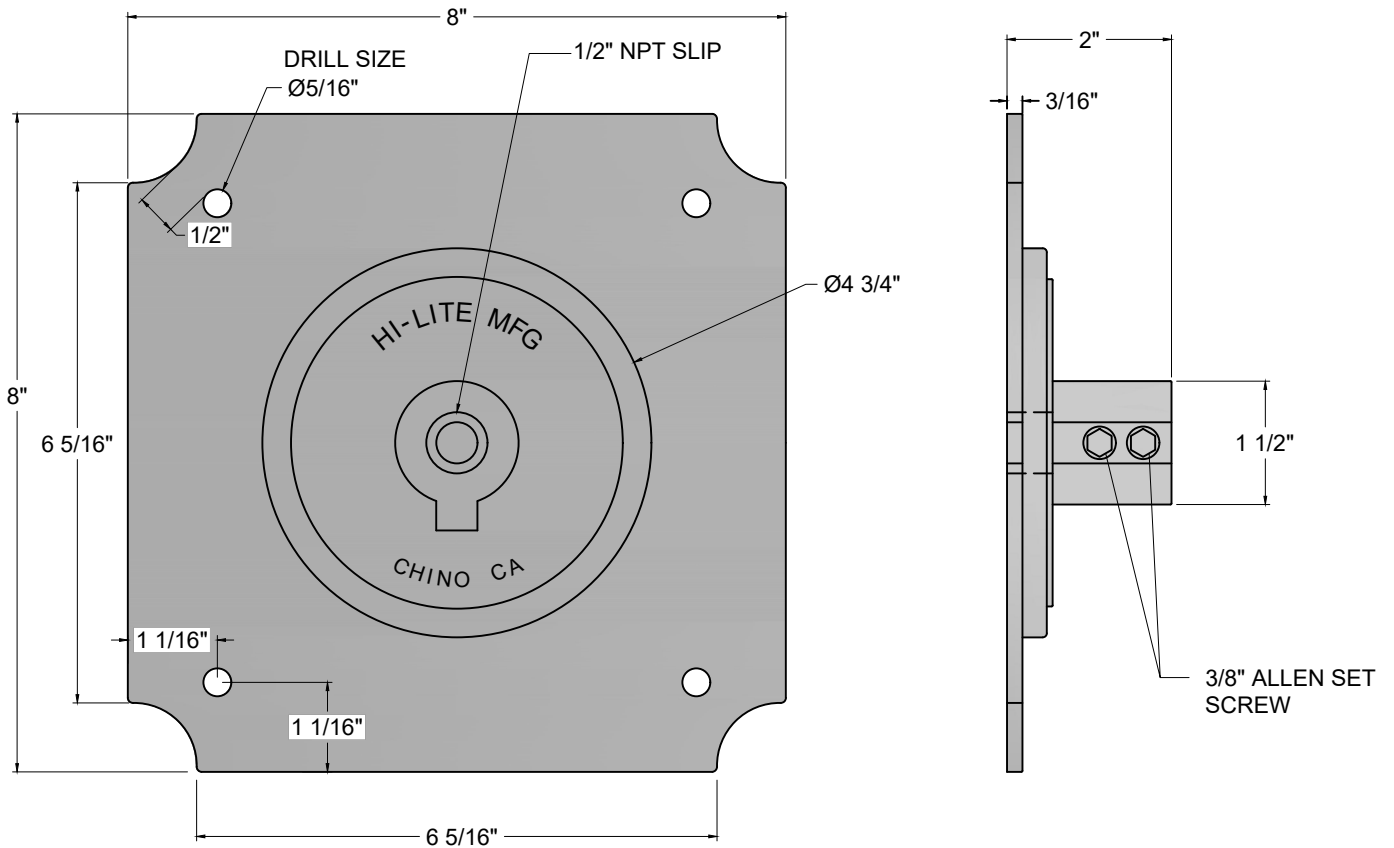


HI-LITE MFG. CO., INC.

13450 Monte Vista Avenue
Chino, California 91710
Telephone: (909) 465-1999
Toll Free: (800) 465-0211
Fax: (909) 465-0907
www.hilitemfg.com

H-SQBP-1/2"

Job Name:	_____
Type:	_____
Quantity:	_____



Heavy Duty Square Back Plate 1/2" (H-SQBP-1/2")

Note: Not available in steel,
copper, brass or specialty finishes.

***Confidential and Proprietary. The information contained on this page is the sole property of Hi-Lite Mfg. Co., Inc. Any reproduction, redistribution, or use to profit from in part or as a whole without prior written authorization of Hi-Lite Mfg. Co., Inc. is unlawful, against trade laws and will be prosecuted to the fullest extent.