

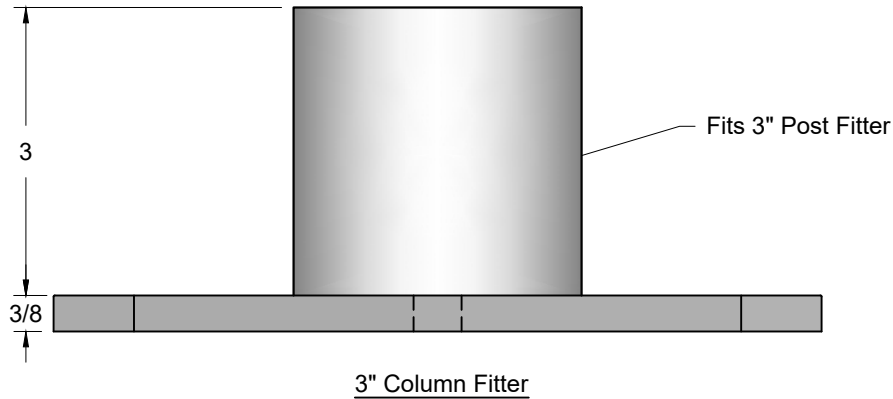
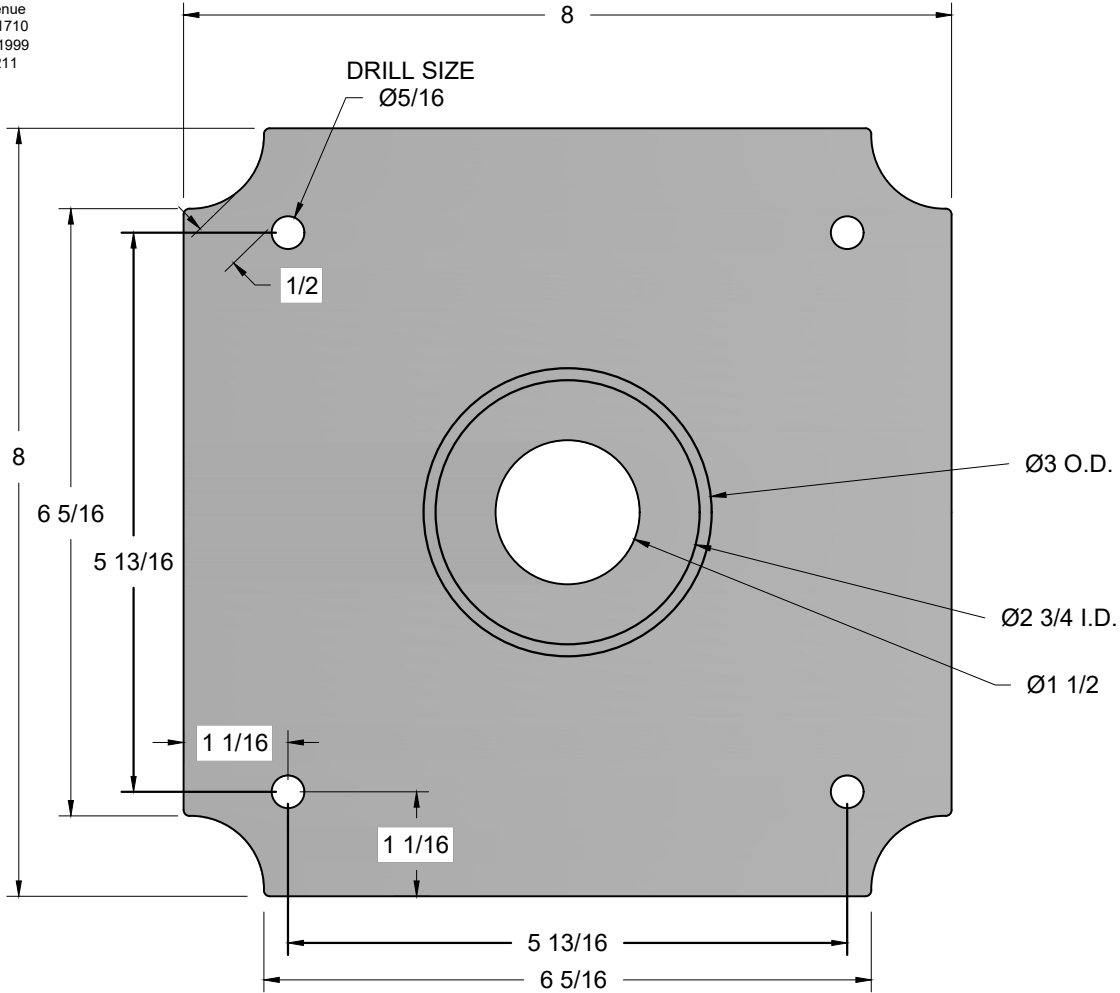


Job Name: _____
 Type: _____
 Quantity: _____

H-3" - CF

**HI-LITE MFG.
 CO., INC**

13450 Monte Vista Avenue
 Chino, California 91710
 Telephone: (909) 465-1999
 Toll Free: (800) 465-0211
 Fax: (909) 465-0907
 www.hilitemfg.com



Note: For 3" post fixtures. Not available in steel, copper, brass or specialty finishes.